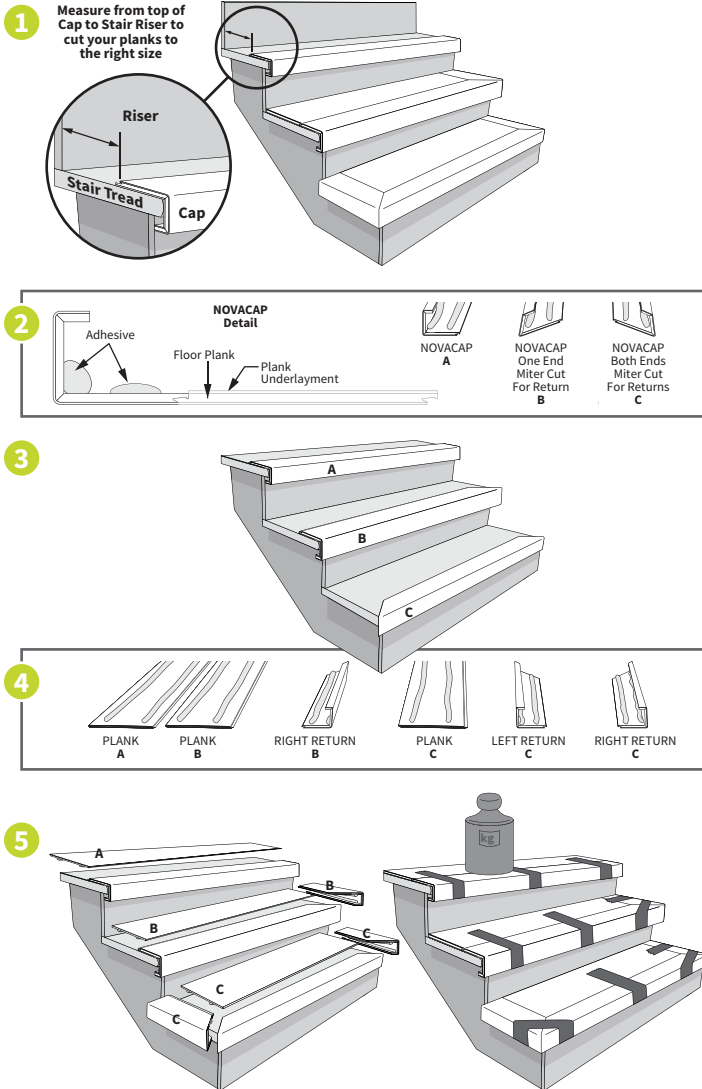


NOVACAP

Basic NovaCap Installation

NovaFloor does not recommend that you join two caps together in order to complete one stair nose



CAUTION: Depending on the floor type, the NovaCap may come with padding. If the padding is not securely attached it should be removed from the cap and/or the plank before installing to stair.

STEP 1

Clean the staircase from all dust and debris. All wood or concrete stair surfaces must be properly prepared, stable, flat, and free of adhesive residue or anything that may be an adhesive bond breaker. **IMPORTANT:** Installing over existing flooring on stairs is not permitted. Existing flooring must be removed.

Once staircase is clean, measure each stair and cut your planks and caps. If creating returns, use a miter saw set at 45° angles to make the cuts. Dry fit the caps, returns, & planks prior to spreading any adhesive. Leave them in place until ready to glue down.

NOTE: Start at the top of the Stair Case and work your way down. The strategy, as you will see in the steps that follow, will be to glue and staple down the NovaCap first. Then, glue down the plank and/or return(s). Move on to the next stair and repeat Steps 2 to 5.

STEP 2

IMPORTANT: The NovaCap does not come with an underlayment. Apply enough adhesive to the broad flat area to make the Caps and Returns level with the floor plank. Turn the first NovaCap over and apply adhesive on the inside corner and a generous amount of adhesive on the broad flat area. (See illustration on the left).

STEP 3

Place the NovaCap on the stair. Position it where you want it.

Clean up any excess adhesive with a damp rag.

STEP 4

Make sure the underlayment is firmly and completely attached to the floor plank. If it is not, either remove it or reattach it with PUR adhesive. Next, take the plank and/or return(s) that go with the NovaCap you just fixed on the Stair. Turn them over and apply a generous amount of adhesive to them. If installing returns, apply glue to the inside corner of the return and then apply adhesive to the broad flat area of the return like you did to the Cap in Step 2. (See illustrations to the left).

STEP 5

Next, place the plank and/or return(s) in place. Clean up any excess adhesive with a damp rag before applying the painters tape.

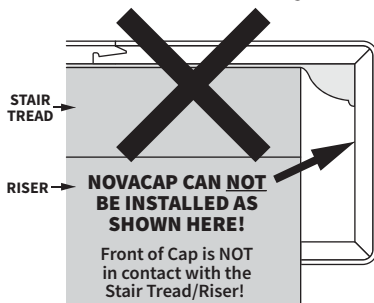
Use painter's tape to tape the NovaCap to the flooring plank and returns. Place a heavy weight across the seams. Let the adhesive cure for 48 hours before heavy traffic. Once dry, you can remove painter's tape from stairs.

Next, move on to the next stair and repeat Steps 2 to 5.

HOW NOT TO INSTALL:

NO-OVERHANG STAIR TREAD

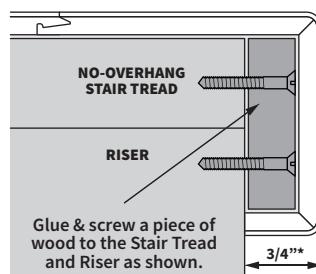
Use Options #1 or #2 at Right



INSTALLATION OPTIONS:

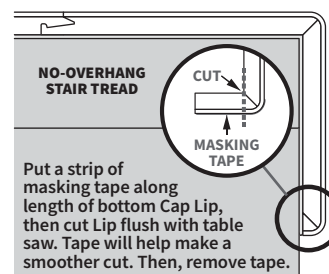
NO-OVERHANG STAIR TREAD

OPTION #1: Piece of Wood Cut to Size and Screwed & Glued in Place



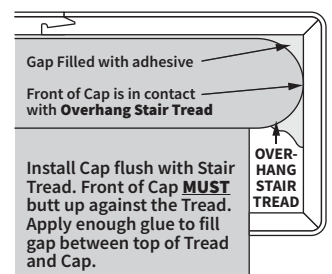
NO-OVERHANG STAIR TREAD

OPTION #2: Cut Bottom Lip of NovaCap so it Lays Flat Against Stair Tread/Riser



OVERHANG STAIR TREAD

Front of Cap is in Contact with Stair Riser

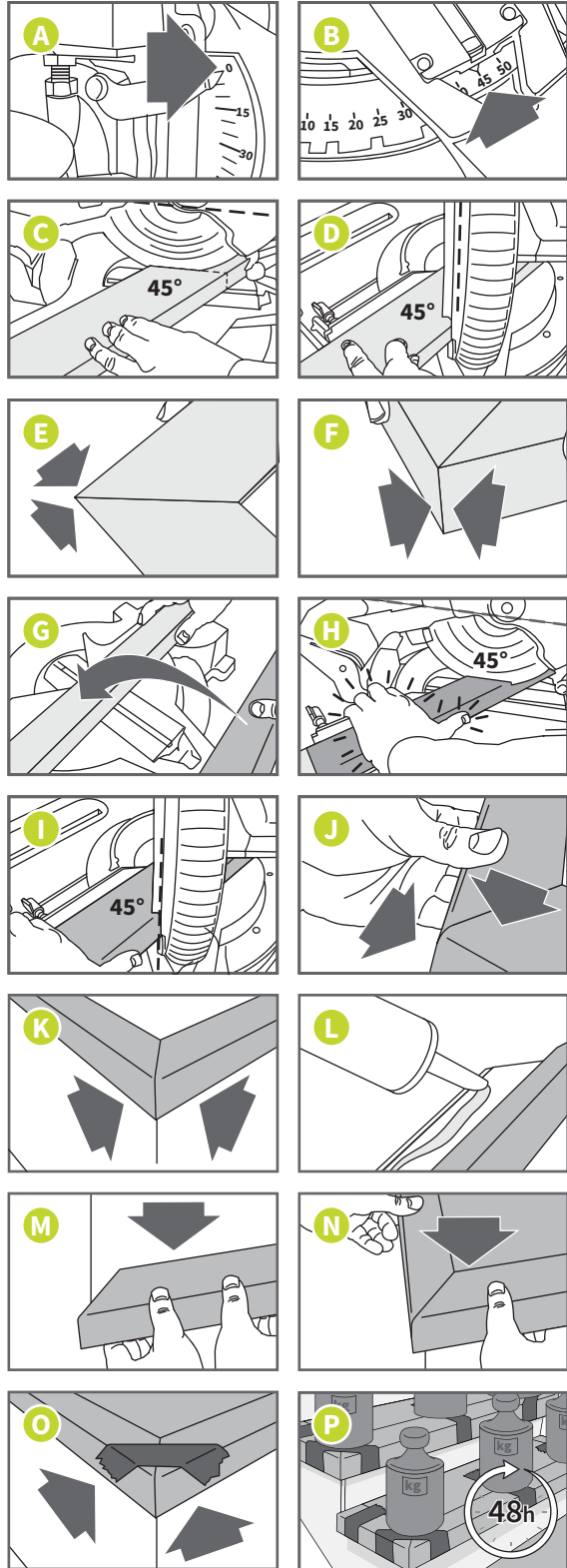


When we machine the planks we change the symmetry of tension and some bowing is to be expected. Here is how you install a slightly bowed NovaCap:

- After you cut your planks and NovaCaps to size, dry fit them to see which caps are bowing. You may see a slight 1 to 2 mm gap either towards the ends of the plank or towards the middle caused by the bowing.
- Glue your NovaCap in place on the step. Then apply glue to the back of the plank. We also advise to put a thin swipe of construction glue into the click system of the floor plank.
- Line up the plank to the NovaCap so that both ends meet.
- Start at one end and snap the plank into place by lining it up with the NovaCaps groove and lowering it down.
- Take a strip of painter's tape and start towards the very top of the flooring plank and end under the lip of the NovaCap, or even on the stair riser below the cap, pulling tightly so that the NovaCap and plank are held snug in place by the tape.
- Work your way down to the other end, pressing firmly and using your body weight to push the flooring groove into the NovaCap until it snaps into place.
- Then add strips of painter's tape to the other end and to the center of the tread to hold the NovaCap in place until the glue dries. Apply weights.

NOVACAP

Cutting NovaCap to Create Returns



Make sure to use safety goggles and thick gloves while using saw and handling the blade

STEP 1 – Make Test Cuts on Scrap 2x4

IMPORTANT: Make sure the bevel angle is set to **ZERO (A)**.

We highly recommend you do a test cut on 2 scrap pieces of 2x4 to make sure your cuts line up. Set the miter angle to **45 degrees** for the first cut (B). Cut the 2x4 (C).

Then change angle of miter cut to **45 degrees in the other direction (D)**. Cut the other piece of 2x4.

Line up ends of the 2x4s to form a corner (E). Check the pieces to see if they line up correctly with **no gap** on the top or front view (F).

STEP 2 – Cut Your NovaCap

IMPORTANT: Use a scrap 2x4 piece to set NovaCap on while you make the cuts (G). This will keep them level as you cut.

Set the miter angle to **45 degrees**. Cut the NovaCap (H).

REMINDER: Always wear safety goggles when using the saw

IMPORTANT: Hold the NovaCap extremely tight, otherwise it will pull in the direction of the blade and your cut will be off

Change miter angle to **45 degrees in the other direction (I)**. Cut the other piece that you are using for the Return. Again, **make sure you hold the NovaCap extremely tight. Don't let it move while you make the cut.**

Check the Cap & Return to see if they line up correctly with **no gap** on the top or front view (J).

STEP 3 – Applying Cap & Return to the Stairs

IMPORTANT: The NovaCap does not come with an underlayment. Apply enough adhesive to the broad flat area to make the Caps & Returns level with the floor plank.

After wiping the Cap & Return clean from debris, test the fit on your stairway. Make sure there is no gap between them (K).

After you test the fit, run thick lines of **Graphite adhesive** (or comparable PUR adhesive) along the inside corner and along the broad flat surface of the NovaCap (L).

Put the Cap in place, pressing down firmly to make sure it is in contact with the stair (M). Make sure the edge is square.

Clean up any excess adhesive with a damp rag.

IMPORTANT: Make sure the underlayment is firmly and completely attached to the floor plank. If it is not, either remove it or reattach it with PUR adhesive.

Next, take the plank and Return that go with the NovaCap you just fixed on the Stair. Turn them over and apply a generous amount of adhesive to them. Apply glue to the inside corner of the return and then apply adhesive to the broad flat area.

Next, place the plank and Return in place (N).

Clean up any excess adhesive with a damp rag before applying the painters tape.

While pressing both ends firmly together, stretch a piece of painter's tape tightly across the corner edge to keep the moldings from separating while the adhesive cures (O).

Place a heavy weight across the seams (P).

Let the adhesive cure for 48 hours before heavy traffic. Once dry, you can remove painter's tape from stairs.

NOVA_{FLOOR}